

BERETTA



MODEL Beretta 92FS

Caliber .177 (4.5 mm) Pellet CO₂ Air Pistol

EN Operating instructions 3 - 15

CONTENT



Safety instructions



Description of Parts



Operation

! WARNING: NOT A TOY. ADULT SUPERVISION REQUIRED. MISUSE OR CARELESS USE MAY CAUSE SERIOUS INJURY OR DEATH. MAY BE DANGEROUS UP TO 400 YARDS (366 METERS).

! WARNING: LEAD PELLETS. DO NOT INHALE DUST OR PUT PELLETS IN MOUTH. WASH HANDS AFTER HANDLING. THIS PRODUCT CONTAINS LEAD, A CHEMICAL KNOWN TO THE STATE OF CALIFORNIA TO CAUSE CANCER AND BIRTH DEFECTS (OR OTHER REPRODUCTIVE HARM).

1.1



WARRANTY

EN

WARRANTY

1 YEAR LIMITED WARRANTY

This product is warranted to the retail consumer for 1 year from date of purchase against defects in material and workmanship and is not transferable.

WHAT IS COVERED

Replacement parts and labor.

WHAT IS NOT COVERED

Shipping charges to Umarex USA for defective product and damages caused by abuse or failure to perform normal maintenance as well as any other expense. Consequential damages, or incidental expenses, including damage to property. Some states do not allow the exclusion or limitation of incidental or consequential damages, so the above limitation or exclusion may not apply to you.

WARRANTY CLAIMS

Warranty Claims and Repair for U.S. and Canadian customers only.

Call Umarex USA (479)-646-4210 and ask for the Service Department. If it is determined a return is necessary, you will be issued a Return Authorization Number. Write this number boldly on the box and return the product prepaid to Umarex USA. Your name, address, phone number and a note explaining the defect found must be included in the package. A copy of the original purchase receipt must accompany the return. U.S. customers include a check made to Umarex USA in the amount of \$14.95 to cover shipping and handling.

IMPLIED WARRANTIES

Any implied warranties, including the implied warranties of merchantability and fitness for a particular purpose, are limited in duration to 1 year from date of retail purchase.

SOME STATES DO NOT ALLOW LIMITATIONS ON HOW LONG AN IMPLIED WARRANTY LASTS, SO THE ABOVE LIMITATIONS MAY NOT APPLY TO YOU. TO THE EXTENT ANY PROVISION OF THIS WARRANTY IS PROHIBITED BY FEDERAL STATE, OR MUNICIPAL LAW WHICH CANNOT BE PREEMPTED, IT SHALL NOT BE APPLICABLE. THIS WARRANTY GIVES YOU SPECIFIC LEGAL RIGHTS, AND YOU MAY ALSO HAVE OTHER RIGHTS WHICH VARY FROM STATE TO STATE AND COUNTRY TO COUNTRY.

1.2 | SAFE GUN HANDLING

EN

You should be fully familiar with the proper and safe handling of your gun. Remember that according to the basic rules of safe gun handling, touching a gun is the same as handling it.

- Always treat a gun as if it was loaded.
- Always put the safety of a gun to “safe” when loading it so that there can be no unintentional discharge.
- Keep your finger away from the trigger. It should be straight and should rest on the trigger guard.
- Only use the kind of projectiles suitable for your gun.
- Always keep the muzzle pointed in a safe direction.
- This gun may only be discharged in your own house, on authorized shooting ranges and inside enclosed private property. Make sure that no projectile can leave the enclosed property.
- Keep the danger area of the projectile in mind.
- Never transport a loaded gun. Only load your gun when you intend to fire it.
- Never aim your airgun at persons or animals. Avoid ricochets. Never fire at smooth, hard surfaces or water.
- Before you discharge your gun, make sure that target and surrounding area are safe.
- Make sure that you always have full control over the muzzle of your gun, even if you stumble or fall down.
- Safety shooting glasses should always be worn when firing the gun.
- Always store your gun unloaded, with the safety engaged. Keep it out of reach of unauthorized persons (untrained persons, children). Store ammunition separately.
- The gun together with its operating instructions may only be handed over to persons who have reached the age of 18 (or older) and who are fully familiar with the handling of it.
- Modifications or repairs of guns are only to be effected by authorized agencies or by a skilled gunsmith.
- Never leave a loaded gun unattended.
- Only unloaded guns are to be handed over to another person.



CAUTION

The legal regulations referred to in this instruction manual relate exclusively to Germany. Please also always observe the legal regulations effective in your country for the use of arms.

1.3



SAFETY INSTRUCTIONS



CARE

EN



CAUTION

Carefully read and understand these instructions before using this gun. Buyers and users must follow the instructions for the safe use of airguns. Any changes or conversion of this gun may lead to a different classification of the gun in respect of the appropriate firearms legislation and are therefore illegal. In such cases, the manufacturer's warranty becomes immediately null and void.

You must be 18 years or older to purchase this CO₂ pistol.



CAUTION

Take care to ensure that discharged CO₂ does not come into contact with your hands. This may cause freezing of the skin. Do not expose the CO₂ cartridge to excessive heat and do not store it at temperatures above 48.9°C. Always adhere to the warnings and safety instructions of the manufacturer on the cartridge in respect to handling and storage of a CO₂ gas container.

CARE

Clean your gun after each use. Clean the cartridge chamber, breech face and magazine lips using a brush, then dry and lubricate it with gun oil. It is advisable to lubricate with gun oil, before using the gun after an extended period of inactivity.

REPAIR

Do not attempt to repair this pistol if it needs service. Incorrect assembly could lead to dangerous malfunctions.

Caution: Repairs should only be completed by an Umarex USA authorized gunsmith.

1.4



SAFETY INSTRUCTIONS

EN

Problems	Possible causes								
	Safety activated	CO ₂ -cartridge empty	Dirty barrel	CO ₂ -cartridge not inserted	Extreme temperatures	Wrong ammunition	Ammunition badly loaded	Slide not closed	Sight not properly adjusted
Faulty shooting direction		●	●		●	●	●		●
Gun does not shoot	●	●		●		●	●	●	
Low shooting speed		●	●		●	●	●		

TECHNICAL DATA



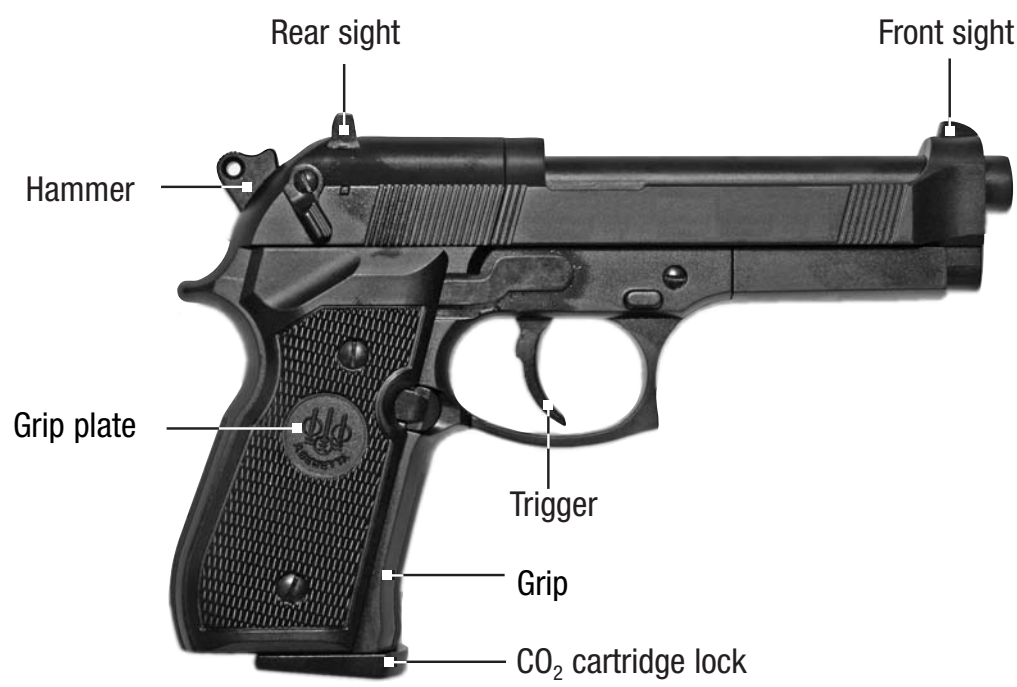
System:	CO ₂ pistol	Weight:	1680 g
Trigger:	Double Action	Magazine capacity:	8 Schuss
Ammo:	Pellets (Diabolos)	Safety:	manuell
Sights:	fixed front, adjustable rear	Dangerous area up to:	250 meters
Caliber/Ammo:	cal. .177 (4.5 mm)	Power source:	12 g CO ₂ cartridge
Length:	320 mm	Velocity:	120 m/s
Barrel length:	114.6 mm	Energy:	ca. 3.5 Joule

2.1



DESCRIPTION OF PARTS

EN



3.1 | SAFETY

EN

CAUTION

Only handle the gun when it is in decocked condition.
Always make sure that the muzzle points in a safe direction.



To lock the safety, push the lever down. "ON SAFE"



To release the safety, push the lever up. "OFF SAFE"

WARNING:

KEEP THE AIR PISTOL IN THE "ON SAFE" POSITION UNTIL YOU ARE ACTUALLY READY TO SHOOT. THEN PUSH THE SAFETY TO THE "OFF SAFE" POSITION.

3.2



INSERTION AND CHANGE CO₂-CYLINDER

EN



CAUTION

There may be a minor discharge of gas when you remove the gas cylinder.
For storage remove gas cylinder.



Press the grip plate release button.



Remove the grip plate.



- ① Open the cartridge lock.
- ② Turn cartridge screw downwards.



Insert CO₂ cartridge.



- ① Fix CO₂ cartridge in place with cartridge screw.
- ② Close the cartridge lock.



Replace the grip plate and press it on.

3.2



INSERTION AND CHANGE CO₂-CYLINDER

EN

⚠ WARNING: CO₂ CARTRIDGES MAY EXPLODE AT TEMPERARTURES ABOVE 120°F (48.9°C). DO NOT MULTILATE OR INCINERATE THEM. DO NOT EXPOSE THEM TO HESRT OR STORE CO₂ CARTRIDGES AT TEMPERATURES ABOVE 120°F (48.9°C).

⚠ WARNING: KEEP HANDS AND FACE AWAY FROM ASCAPING CO₂ GAS. IT CAN CAUSE FROSTBITE IF ALLOWED TO COME IN CONTACT WITH SKIN.

3.3



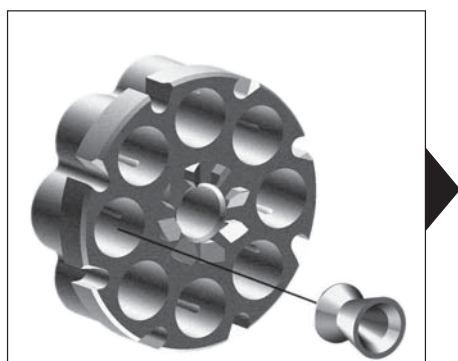
LOADING THE CYLINDER MAGAZINE



CAUTION



Use only .177 (4.5 mm) caliber pellets (diabolo) in this air pistol.
Never reuse pellets. Use of any other ammunition can cause injury to you or damage to the air pistol.



Load diabolos into cylinder.



Make sure diabolos are positioned correctly.

3.4



LOADING THE GUN

EN

⚠ WARNING: DO NOT PLACE YOUR HAND OR FINGERS OVER THE MUZZLE. WHEN OPENING OR CLOSING THE SLIDE MAKE SURE YOUR AIR PISTOL POINTING IN A SAFE DIRECTION, AND KEEP YOUR FINGER OFF THE TRIGGER. FAILURE TO FOLLOW THESE WARNINGS MAY CAUSE SERIOUS INJURY.



Press slide catch lever.
Slide opens automatically.



Insert cylinder magazine.

3.5 | ADJUSTING THE SIGHT

EN

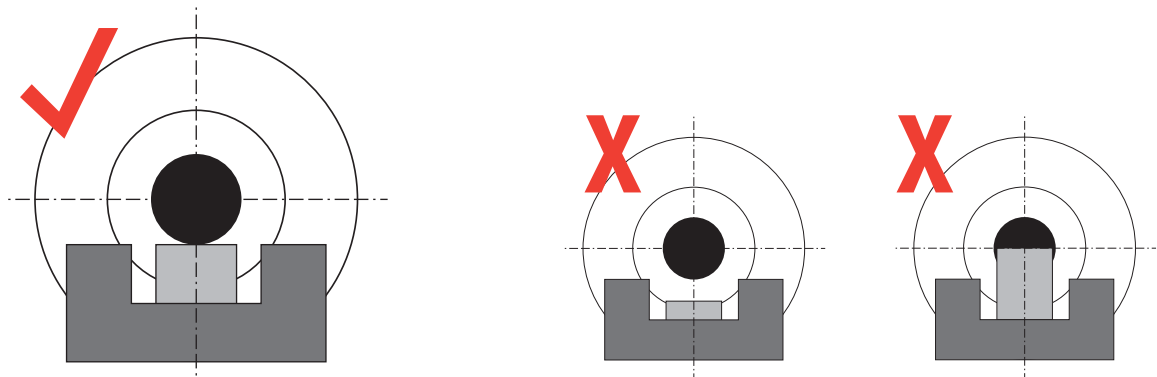


Loosen screw.



Move sight sideway. Tighten screw.

3.6 | SIGHTS



3.7



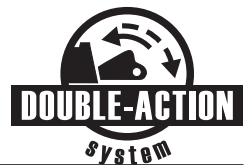
FIRING

EN

Note: Double Action includes the Single Action function too!



- 1 First the hammer is cocked.
- 2 The shot is fired by pulling the trigger.



Pulling the trigger cocks the hammer and the shot is then fired.

3.8 | DECOCK

EN



To decock the gun:

- 1 Press the hammer back all the way and hold it in place.
- 2 Pull the trigger and hold it in.

- 3 Guide the hammer slowly forward. The gun is decocked. It cannot discharge inadvertently.

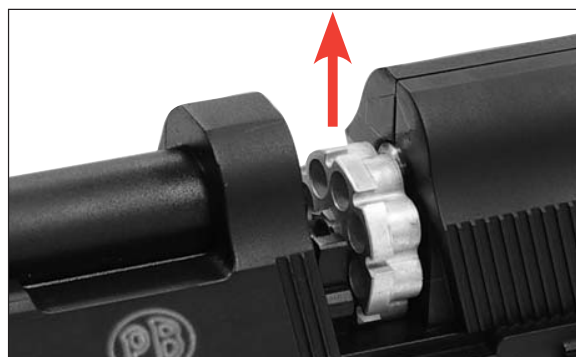
3.9 | FEED JAM

CAUTION

If the gun is fired with insufficient CO₂ pressure, a projectile might become lodged in the barrel.



Press slide catch lever.
Slide opens automatically.



Remove cylinder magazine.

3.10



FEED JAM

EN



Press the grip plate release button.



Remove the grip plate.



Open the cartridge lock. Turn cartridge screw downwards. Remove the CO₂ capsule.



CAUTION

There may be a minor discharge of gas when you remove the gas cylinder. For storage remove gas cylinder.



If a projectile becomes lodged in the barrel: push it out with a cleaning brush.



The air guns manufactured by the company UMAREX Sportwaffen GmbH & Co. KG are made according to the homologation regulations of the „Physikalisch-Technische Bundesanstalt“ (PTB), the federal law, the CIP regulations and the technical know-how of the company UMAREX GmbH & Co. KG.

We will not assume any liability whatsoever if our products are exported to territories outside of Germany and as a consequence do not comply with domestic legal requirements of these territories. It will be the sole responsibility of the importer to ensure compliance with local laws and regulations.

Distributed by / Distribué par:
UMAREXUSA[®]
www.UmarexUSA.com

7700 Chad Colley Boulevard
Fort Smith, AR 72916
Phone: 479-646-4210